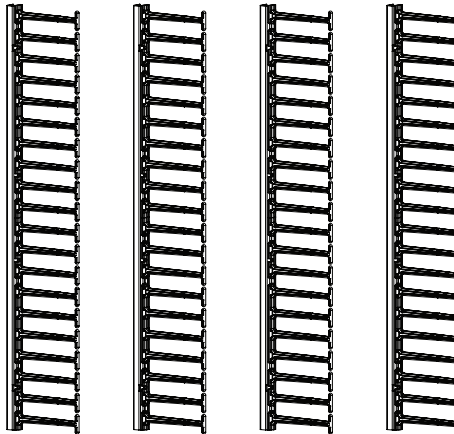


Vertical Cable Manager (AR7717A)—Installation

Inventory



Tools required (not provided)

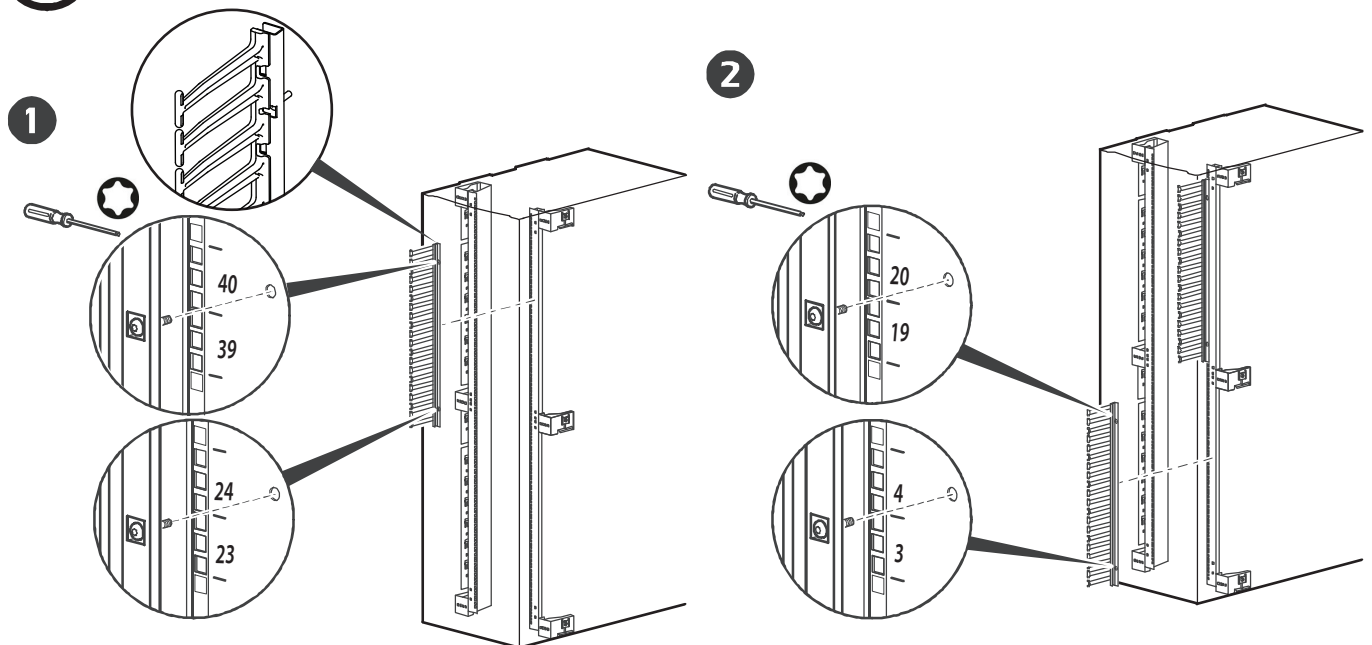


Torx[®] T30 screwdriver or 1/4-in slotted screwdriver

Installation (Vertical mounting flange)



Note: The Vertical Cable Managers can only be installed in a 42U NetShelter[®] SX Networking Enclosure



Customer support and warranty information is available at the APC Web site, www.apc.com.